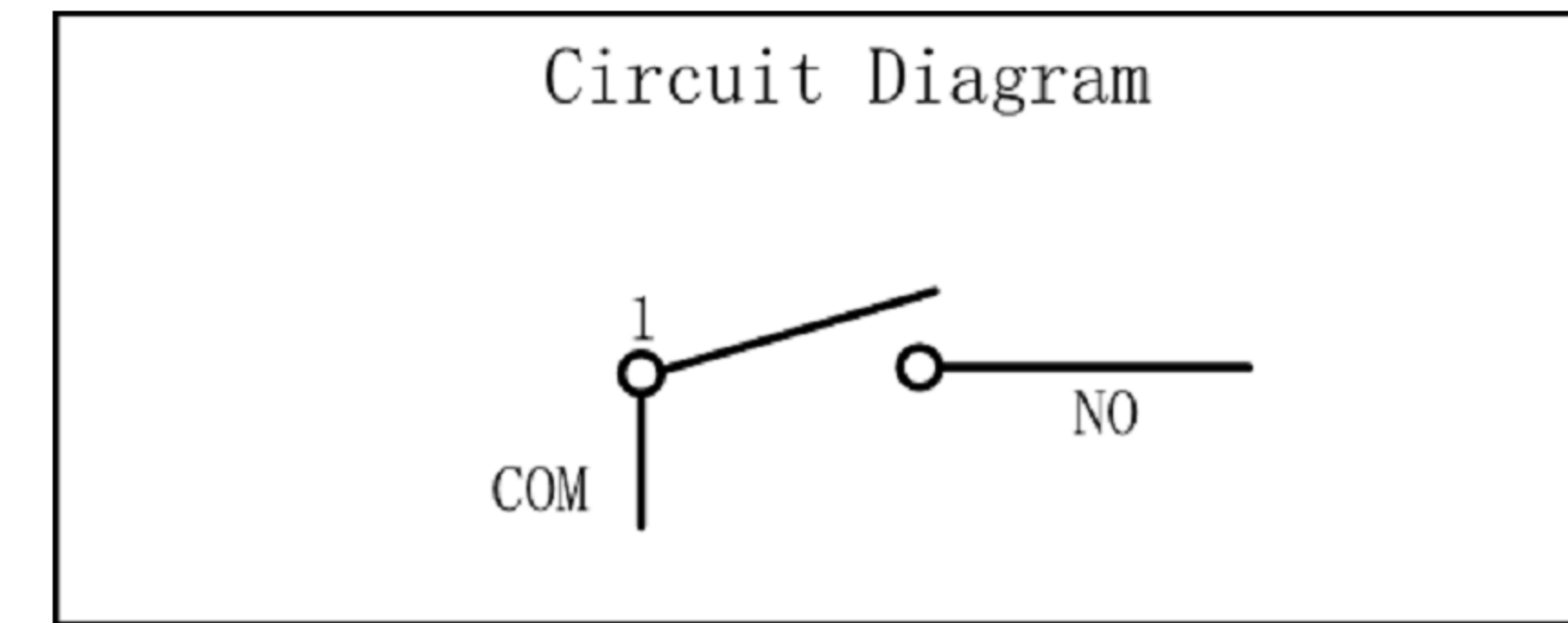
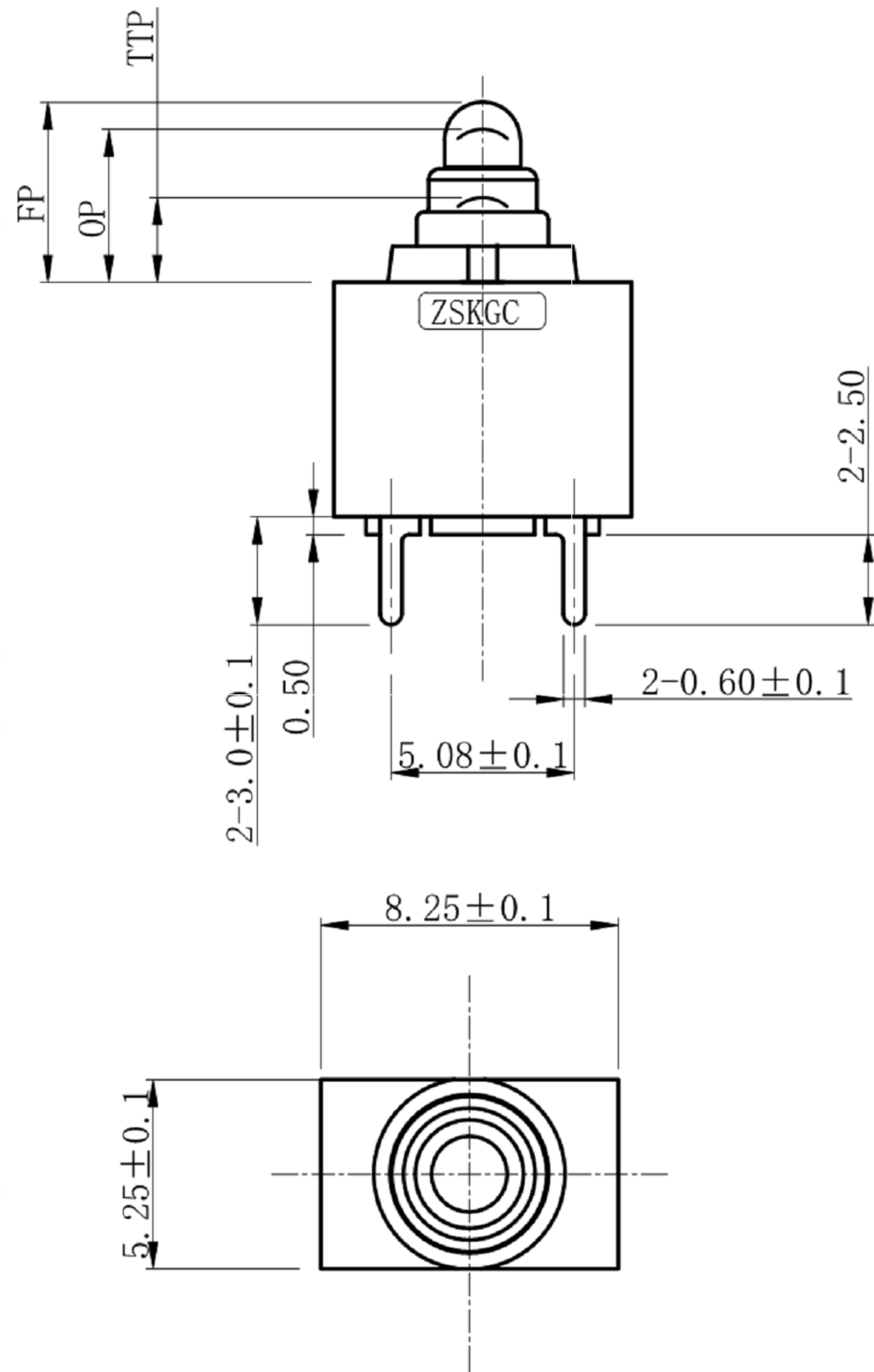


Waterproof grade:IP67



ELECTRICAL DATA	
RATING	OPERATING LIFE
0.1A 12VDC	100,000 CYCLES

MECHANICAL LIFE	300,000 CYCLES
GAP TYPE	MICRO
OPERATING TEMP.	-40°C ~ +85°C
WATERPROOF	IP67

CHARACTERISITICS	
OPERATING FORCE (OF) :	150gf Max.
FREE POSITION (FP) :	4.60mm Max.
OPERATING POSITION:	4.10±0.2 mm.
TOTAL TRAVEL POSITION:	2.1 mm Min.

東莞市高迪電子有限公司  
DONG GUAN GAO DI ELECTRONICS CO., LTD

TOLERANCE UNLESS OTHERWISE STATED:

Up to 5	±0.2
Above 5 ~ 15	±0.3
Above 15 ~ 30	±0.4
Above 30 ~ 50	±0.5
Angle	±0.3°

3RD. ANGEL'S UNITS MM

DRAWN BY: DATE  
Ming Ming Zou 07/23/13

CHECKED BY: DATE  
Ning Ning Su 07/23/13

APPROVED BY: DATE  
Jia Xiang 07/23/13

MAT'L	TITLE	Waterproof micro movement
FINISH	MODLE	Waterproof micro movement
SCALE	DWG NO.	GD-H2-A3
SHEET NO.	PART NO.	
1 of 1		

ITEM NO.	DESCRIPTION	DRAWN	DATE
2	公差及料號更新	Jack	072313
1	圖面更新	Frank Wu	021012

SIZE  
A4  
VER  
R2